

Hybrid Switch for OVP/OCP and Communication

Features

- Input voltage range: 3.6V ~ 28V
- Both IN and ISNS may supply the chip
- Low on-resistance for IN-OUT: typical 40mΩ
- IN-COM for 10Mbps bit rate Communication
- Over voltage protection: Default 6V
- Super-fast OVP response time: typical 50ns
- Programmable Over Current Protection
- Short Circuit Protection
- Over Temperature Protection with external NTC
- Tiny 6-bumps WLCSP 1.17mm x 0.815mm

Applications

- Smart Phone, AR/VR Device, Tablet PC, Wearable etc.

General Description

YHM2010 over-voltage protection devices feature a low 40mΩ (TYP) on-resistance high current integrated MOSFET which actively protect low-voltage systems against voltage supply faults up to +28VDC. An input voltage exceeding the over-voltage threshold will cause the internal MOSFET to turn off, preventing excessive voltage from damaging downstream devices.

The over-voltage protection threshold is default 6V. There are other trim versions for 11V/16V /22V OVP and no OVP. YHM2010 device enters hiccup mode when the output load exceeds the over current threshold. The over current threshold is programed by R_{SNS} .

YHM2010 has two outputs, OUT supports 2A current for power supply, COM supports 10Mbps digital signal communication when the chip is powered by ISNS pin.

YHM2010 has an NTC pin to support over Temperature Protection. It turns off when detected ambient temperature via external NTC resistor exceeds a pre-programmed threshold. Once turned off, it cannot be turned on until VIN is disconnected and reconnected again.

YHM2010 is available in tiny 6-bumps WLCSP 1.17mm x 0.815mm, 0.4mm pitch, and operates over an ambient temperature range of -40°C to +85°C.

YHM2010

Hybrid Switch for OVP/OCP and Communication

Typical Application

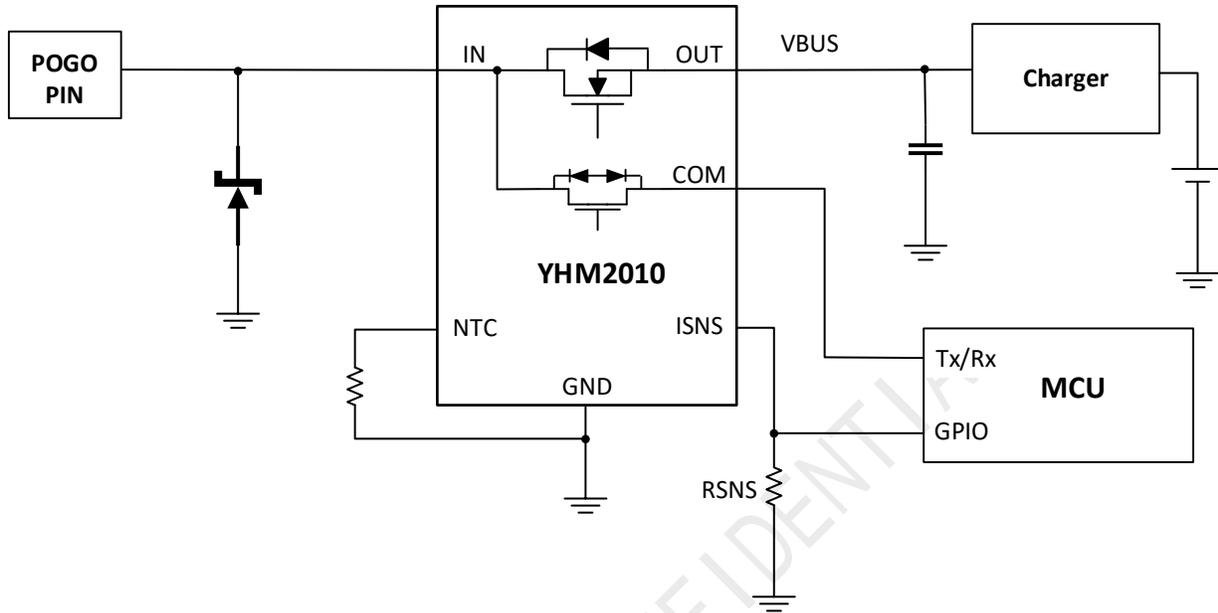


Fig 1. POGO Pin Communication and OVP Application Diagram

YHM2010

Hybrid Switch for OVP/OCP and Communication

YHM2010 Pin Configurations

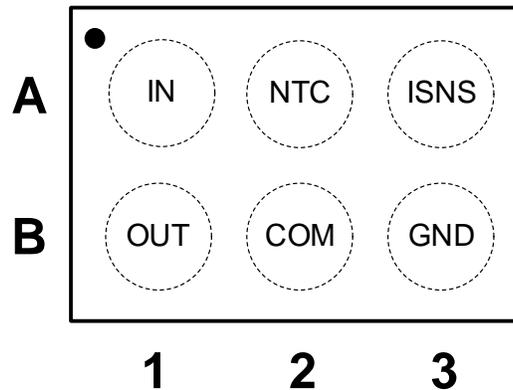


Fig 3. YHM2010 WLP-6 Pin Assignment (Top Through View)

YHM2010 WLP Pin Descriptions

Bump	Name	Description
A1	IN	Power Input.
A2	NTC	Connect NTC for temperature protection or keep floating if not use this function.
A3	ISNS	Connect to system GPIO for communication function.
B1	OUT	Power Output.
B2	COM	Communication Output.
B3	GND	Device Ground.

Hybrid Switch for OVP/OCP and Communication

Absolute Maximum Ratings

Stresses exceeding the absolute maximum ratings may damage the device. The device may not function or be operable above the recommended operating conditions and stressing the parts to these levels is not recommended. In addition, extended exposure to stresses above the recommended operating conditions may affect device reliability. The absolute maximum ratings are stress ratings only.

Symbol	Parameter	Min.	Max.	Unit	
V_{IN}	IN to GND	-0.3	29	V	
V_{OUT}	OUT to GND	-0.3	$V_{IN}+0.3$	V	
V_{ISNS}	ISNS to GND	-0.3	6.0	V	
I_{IN}	Input Current (Continuous)		2.2	A	
I_{OUT}	OUT Current		2.2	A	
I_{COM}	COM Current		0.1	A	
t_{PD}	Total Power Dissipation at $T_A = 25^\circ\text{C}$		TBD	W	
T_{STG}	Storage Temperature Range	-65	+150	$^\circ\text{C}$	
T_J	Maximum Junction Temperature		+150	$^\circ\text{C}$	
T_L	Lead Temperature (Soldering, 10 Seconds)		+260	$^\circ\text{C}$	
ESD	Human Body Model, ANSI/ESDA/JEDEC JS-001-2012	All Pins		± 3500	kV
	Charged Device Model, JESD22-C101	All Pins		± 2000	

Note 1. Refer to JEDEC JESD51-7, use a 4-layerboard

Hybrid Switch for OVP/OCP and Communication

1. Recommended Operating Conditions

The Recommended Operating Conditions table defines the conditions for actual device operation. Recommended operating conditions are specified to ensure optimal performance.

Parameters	Min.	Max.	Unit
Supply Voltage: V_{IN}	3.6	29	V
Supply Voltage: V_{ISNS}	1.6	5.5	V
Ambient Operating Temperature, T_A	-40	85	°C
V_{OUT} Load Capacitor	1	100	μF
Operating Temperature Range	-40	85	°C

2. Detailed Electrical Characteristics

$V_{IN} = 3.6V$ to $28V$, $C_{IN} = 0.1\mu F$, $T_A = -40^\circ C$ to $+85^\circ C$, typical values are at $V_{IN} = 5V$, $I_{IN} \leq 3A$, $T_A = +25^\circ C$, unless otherwise noted.

PARAMETER	SYMBOL	CONDITION	MIN	TYP	MAX	UNIT
INPUT OPERATION						
Input Voltage Range	V_{IN}		3.7		28	V
Input Supply Current	I_{IN}	$V_{IN} = 5V$, NTC floating		32		μA
Under-Voltage Lockout	V_{IN_UVLO}	V_{IN} falling		3.5		V
Under-Voltage Lockout Hysteresis	V_{IN_HYS}			0.1		V
OVER-VOLTAGE PROTECTION						
OUT OVLO threshold	$V_{IN_OUT_OVLO}$	V_{IN} rising		6		V
COM OVLO threshold	$V_{IN_COM_OVLO}$	V_{IN} rising		3.65		V
OUT Switch On-Resistance	R_{ON1}	$V_{IN} = 5V$, $I_{OUT} = 0.5A$, $T_A = +25^\circ C$		40		mΩ
COM Switch On-Resistance	R_{ON2}	$V_{ISNS} = 1.8V$, $I_{COM} = 5mA$, $T_A = +25^\circ C$		60		Ω
ISNS Supply Current	I_{VDD}	$V_{ISNS} = 1.8V$, $V_{IN} = 1.8V$, NTC floating		15		uA
OVER-CURRENT PROTECTION						
OCP Threshold	I_{OCP}	$R_{SNS}=5.4k\Omega$, $T_A= 25^\circ C$		1		A
		Accuracy, $T_A = 0^\circ C$ to $+65^\circ C$	-10%		10%	
OCP Response Time	t_{OCP}			45		us
OCP Auto-restart Time	t_{OCP_RST}			100		ms
TIMING CHARACTERISTICS						
Debounce Time	t_{DEB}	De-bounce Time for start rising		3		ms
Switch Turn-On Time	t_{ON1}	$V_{IN} = 5V$, $R_L = 100\Omega$, $C_{LOAD} = 100\mu F$, V_{OUT} from $0.1 \times V_{IN}$ to $0.9 \times V_{IN}$		3		ms
Switch Turn-Off Time	t_{OFF1}	$V_{IN} > V_{IN_OVLO}$ to $V_{OUT} = 0.8 \times V_{IN}$, $R_L = 100\Omega$, V_{IN} rising at $2V/\mu s$		50		ns
THERMAL SHUTDOWN						
Thermal Shutdown				150		°C

YHM2010



Hybrid Switch for OVP/OCP and Communication

Thermal Shutdown Hysteresis				15		°C
-----------------------------	--	--	--	----	--	----

Note 1: This parameter is guaranteed by design and characterization; not production tested.

YHMICROS CONFIDENTIAL

YHM2010

Hybrid Switch for OVP/OCP and Communication

4. Detailed Description

4.1 General Introduction

YHM2010 is a dual output over-voltage protection device. One is a low 40mΩ (TYP) on-resistance high current path, the other is 60Ω (TYP) on-resistance communication path. Both the two output can actively protect low-voltage systems against voltage supply faults up to +28VDC. An input voltage exceeding the over-voltage threshold will cause the internal MOSFET to turn off, preventing excessive voltage from damaging downstream devices. The over-voltage protection threshold is default 6V.

YHM2010 device enters hiccup mode when the output load exceeds the over current threshold. The over current threshold is programed by RSNS.

The communication path of COM features 10Mbps bandwidth which means the device support digital signal communication when powered by ISNS pin.

4.2 UVLO (Under-Voltage Lockout)

The device has a built-in under-voltage lockout (UVLO) circuit. When VIN is falling, the output remains connected from the input until IN voltage is below 3.5V (TYP). This circuit has a 100mV hysteresis to provide noise immunity to transient conditions.

4.3 OVLO (Over-Voltage Lockout)

When the voltage at the input exceeds OVLO threshold, the device immediately turns off the internal switch disconnecting the load from the abnormal voltage, preventing damage to downstream components. The OVLO threshold is default 6V, and there are trim versions for 11V/16V and 22V OVP.

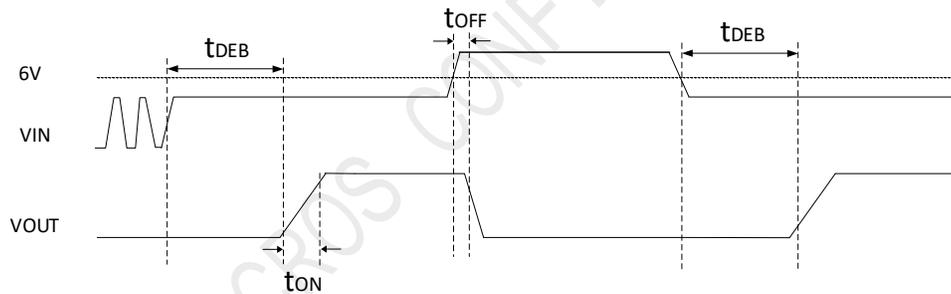


Fig 4. Timing for OVLO trip

4.4 OCP (Over Current Protection)

The chip enters hiccup mode when the output load exceeds the over current threshold. The OCP threshold is 2.35A when ISNS pin is above 1.5V or floating. It also could be adjusted by single external resistor RSNS connected between ISNS and GND.

$$R_{SNS} = 5.4K / I_{OCP}$$

4.5 Communication Functionality

Both IN and ISNS may supply YHM2010. YHM2010 would be powered by ISNS if ISNS voltage is higher than 1.5V. By this, YHM2010 supports digital signal transmission through IN and COM when the device is powered by ISNS. Typically, ISNS is recommended to be driven by GPIO typically. For example, ISNS=1.8V would power YHM2010 even when VIN=0. It is necessary to remove input and output capacitor when communication is required.

4.6 Over Temperature Protection

YHM2010

Hybrid Switch for OVP/OCP and Communication

YHM2010 has an internal 20 μ A current source on NTC pin. When the voltage on NTC pin is below 300mV, the chip turns off. Once turned off, it cannot be turned on until VIN is disconnected and reconnected again. Choose a NTC to program the temperature protection threshold. Recommend 100Kohm NTC (Beta=3950) for 75°C protection. Keep floating if not use this function to save power.

4.7 Thermal Protection

The internal FET turns off when the junction temperature exceeds +150°C (TYP). The device exits thermal shutdown after the junction temperature cools down by 15°C (TYP).

YHMICROS CONFIDENTIAL

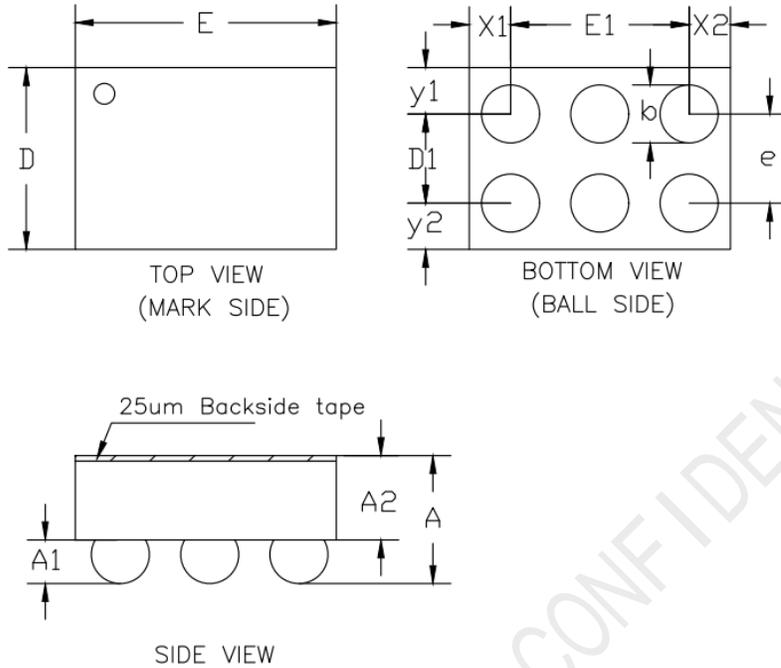
YHM2010

Hybrid Switch for OVP/OCP and Communication



Package Dimensions

WLCSP-6 1.17mm x 0.815mm x 0.574mm



COMMON DIMENSIONS
(UNITS OF MEASURE=MILLIMETER)

SYMBOL	MIN	NOM	MAX
A	0.534	0.574	0.614
A1	0.176	0.196	0.216
A2	0.358	0.378	0.398
D	0.795	0.815	0.835
D1	0.400BSC		
E	1.150	1.170	1.190
E1	0.800BSC		
b	0.240	0.260	0.280
e	0.400BSC		
x1	0.185 REF		
x2	0.185 REF		
y1	0.208 REF		
y2	0.208 REF		

YHM2010



Hybrid Switch for OVP/OCP and Communication

Ordering Information

Part Number	Temp Range	Pin Package	Top Mark	MOQ
YHM2010W6T	-40°C to 85°C	6 WLCSP	YWW LOT	3000

T = Tape and reel.

YWW: Date Code. Y = year, WW = week.

LOT: The last three number of LOTID.

YHMICROS CONFIDENTIAL